

Rev	ECN/DDC	DESCRIPTION	DATE	DRAFT	CHECK	APV'D
A		Initial Release	11-01-16	E.M.J.	--	--
B		Revised to Correct Text Errors.	11-11-16	V.J.C.	--	--
C		Revised to Correct Text Errors.	02-23-17	V.J.C.	E.M.J.	V.J.C.
D		Incorporated Agency Requested Changes.	04-06-17	V.J.C.	E.M.J.	V.J.C.
E		Incorporated Agency Requested Changes.	04-07-17	V.J.C.	E.M.J.	V.J.C.
F		Incorporated Agency Requested Changes.	04-12-17	V.J.C.	E.M.J.	V.J.C.

The notes below apply to all 5 pages in this control document

1. No revision to the drawing without prior UL approval.
2. Associated apparatus manufacturer's installation drawing must be followed when installing this equipment.
3. Install Intrinsic Safe Barriers in accordance with barrier instructions.
4. The total combined length of all wiring in the system, including the cable from each associated apparatus to and from the summing box, and to each load cell must not exceed 300 feet.
5. Installation should be in accordance with any applicable local electrical code, which may include ANSI/ISA RP12.06.01 "Installation of Intrinsically Safe System for Hazardous (Classified) Locations," the electrical safety code (ANSI/NFA 70) Article 504.
6. The product for use in both Class I,II,III Division 1 and 2 areas (NEC 501, 502) and Class 1, Zone 0 and 2, Group IIC, and Zone 20 and 22, Group IIIC areas (NEC 505, 506) is the HI 6011IT-SS1 (shipped with cable glands):
 - SS = Stainless Steel enclosure
 - 1 = Without trim pots
7. SB (summing box) maximum cable length 250 ft; used between the summing box and IS barriers.

WARNINGS:

1. To prevent ignition of flammable or combustible atmospheres, disconnect power before servicing

Substitution of components may impair Intrinsic Safety and/or void Hazardous Area Approval

HARDY PROCESS SOLUTIONS					
TITLE General Control Drawing, Hazardous Area Apparatus System with HI 6011IT-SS1, Load Sensor And Load Points					
SIZE D	FSCM 21316	DRAWING NO. 0594-0010			REV. F
FILE NAME: 0594-0010F1.VSD		SCALE: NONE	SHEET 1	OF 5	

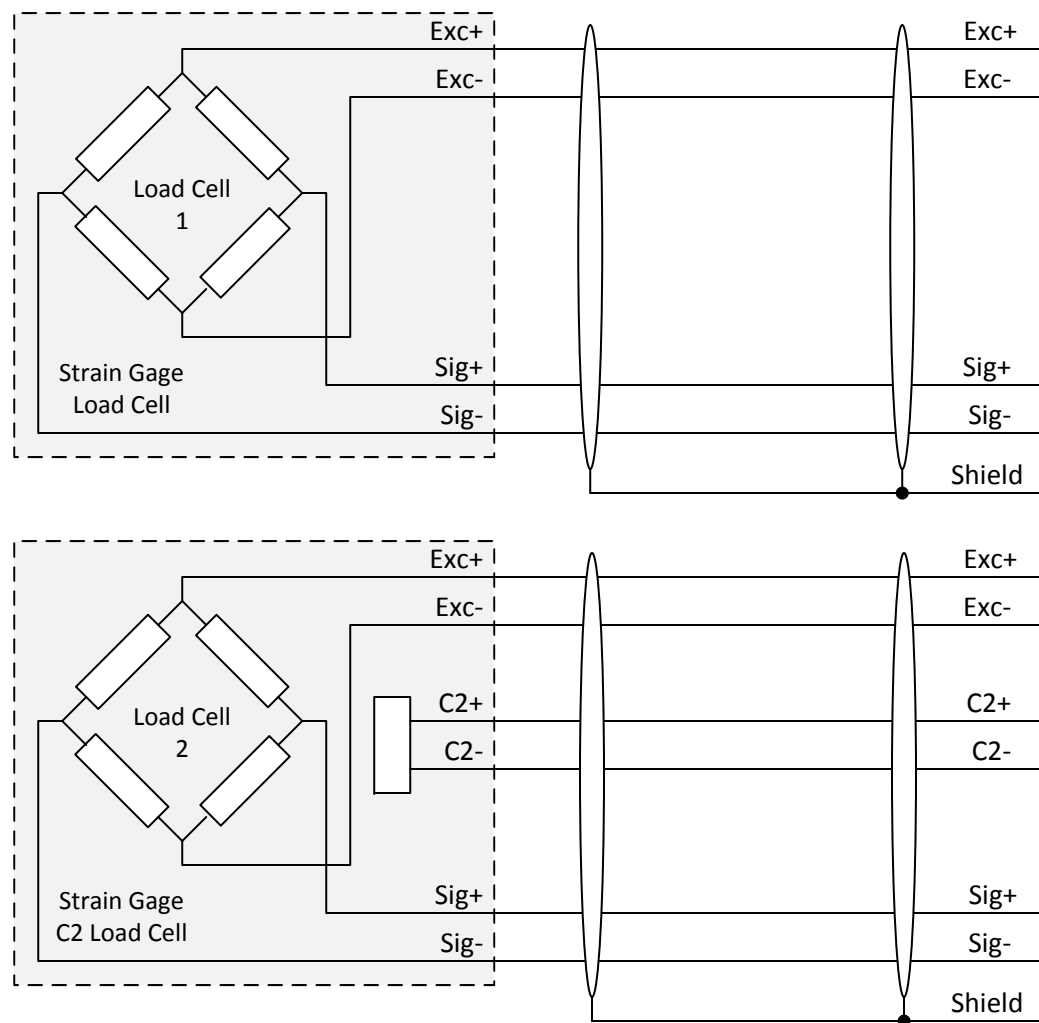
Intrinsic Safety Barriers Approved For Use In This System (US/Canada)										
Component Description	Supplier	Model	Class	Division	Group	U _o (V)	I _o (mA)	P _o (mW)	C _o (uF)	L _o (mH)
IS Barrier Type 1 (excitation)	MTL	7766Pac	I,II,III	1	AB	12.0	157.0	471.0	1.41	1.47
					CE				9.00	4.40
					DFG				36.00	11.00
IS Barrier Type 2 (signals & sense)		7761Pac	I,II,III	1	AB	9.0	26.0	225.0	4.90	56.00
					CE				40.00	208.00
					DFG				500.00	419.00
IS Barrier Type 3 (C2)		7710+	I,II,III	1	AB	10.0	200.0	500.0	3.00	0.91
					CE				20.00	2.72
					DFG				100.00	7.25
IS Barrier Type 1 (excitation)	Pepperl+Fuchs	Z966.H	I,II,III	1	ABCD	12.0	164.0	492.0	1.41	1.38
					EFG				4.23	4.14
					DFG				11.28	11.04
IS Barrier Type 2 (signals & sense)		Z961.H	I,II,III	1	AB	8.7	25.0	54.4	4.9	57.0
					CE				14.7	171.0
					DFG				39.2	456.0
IS Barrier Type 3 (C2)		Z710	I,II,III	1	AB	9.56	195.0	466.1	3.0	0.86
					CE				9.0	2.58
					DFG				24.0	6.88
IS Barrier Type 1 (excitation)	Stahl	9002/11-130-360-001	I,II,III	1	ABE	13.0	321.0	1040.0	1.0	0.19
					CDFG				6.2	1.6
IS Barrier Type 2 (signals & sense)		9002/10-187-020-001	I,II,III	1	ABE	9.33	20.0	50.0	3.9	90.0
					CDFG				29.0	330.0
IS Barrier Type 3 (C2)		9001/01-086-150-101	I,II,III	1	ABE	8.6	150.0	322.5	6.2	1.3
					CDFG				55.0	7.0

Notes:

1. For more information, please refer to the Zener barrier manufacturer control drawings.
2. IS Barriers used within a single system must be from the same supplier. Do not mix barrier suppliers within the same system.

Substitution of components may impair Intrinsic Safety and/or void Hazardous Area Approval

HARDY PROCESS SOLUTIONS			
TITLE General Control Drawing, Hazardous Area Apparatus System with HI 6011IT-SS1, Load Sensor And Load Points			
SIZE D	FSCM 21316	DRAWING NO. 0594-0010	REV. F
FILE NAME: 0594-0010F1.VSD		SCALE: NONE	SHEET 2 OF 5



Terminology:

Load Sensor = Load Cell or C2 Load Cell
Load Point = Load Sensor and Mounting Hardware

Load Cell or C2 Load Cell Wiring to Connectors TB2, TB3, TB4 & TB5 on HI 6011IT Summing Card

Load Cell I.S. Entity Parameters			
Component Description	U _o (V)	I _o (mA)	P _o (mW)
Load Sensor or Load Point	29.9	511	1470
C2 Load Sensor or Load Point	29.9	511	1470

This device is intended for connection to load cells which are considered simple apparatus with the following parameters:

C_i = 0uF

L_i = 0uF

The entity concept allows interconnection of intrinsically safe apparatus with associated apparatus when the following is true:

[Field device]	[Barrier]
V _{max} or U _i	≥ V _{oc} , V _t , or U _o
I _{max} or I _i	≥ I _{sc} , I _t , or I _o
P _{max} or P _i	≥ P _o
C _i + C _{cable}	≤ C _a or C _o
L _i + L _{cable}	≤ L _a or L _o

Substitution of components may impair Intrinsic Safety and/or void Hazardous Area Approval

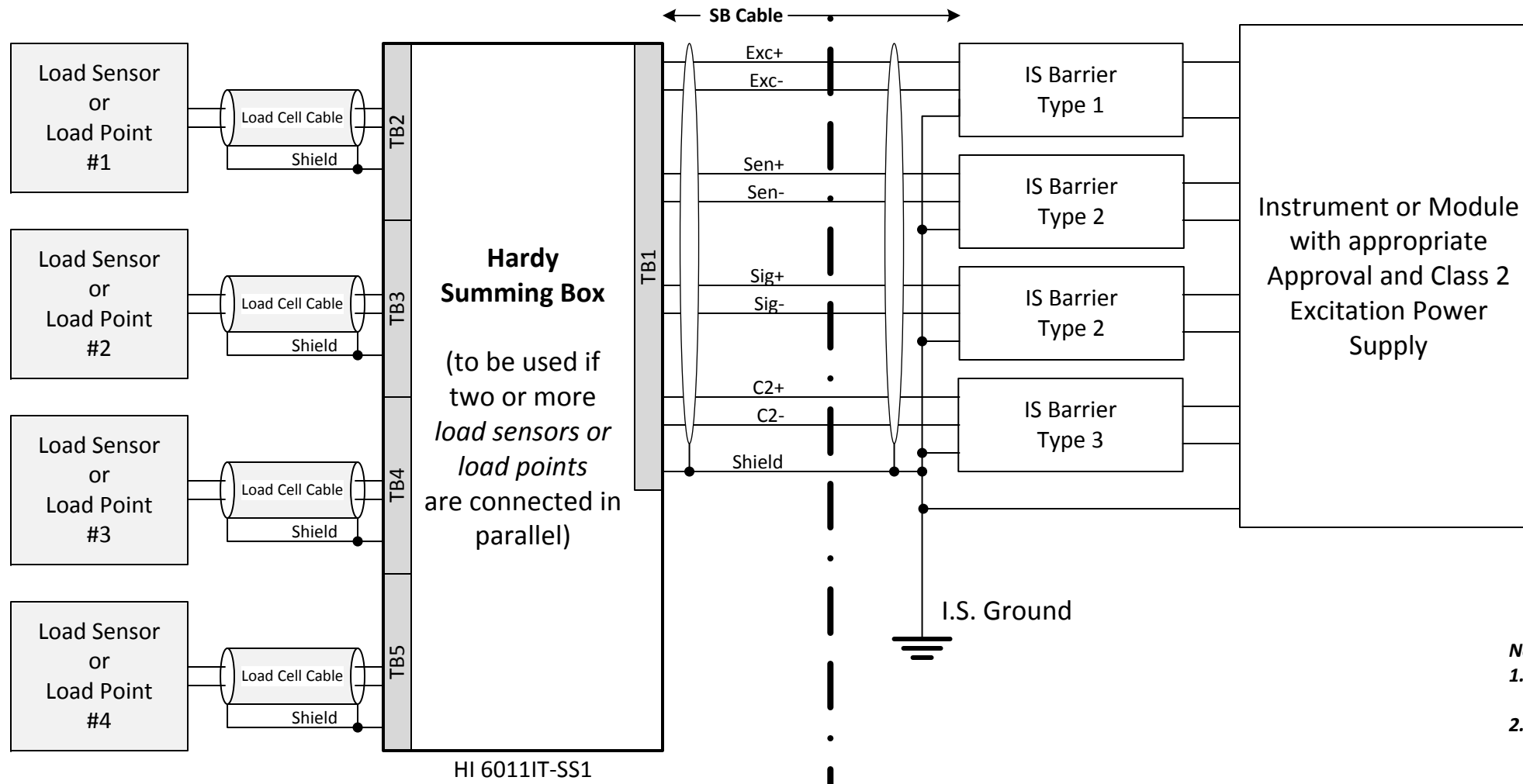
HARDY PROCESS SOLUTIONS

TITLE
General Control Drawing, Hazardous Area Apparatus System with HI 6011IT-SS1, Load Sensor And Load Points

SIZE D	FSCM 21316	DRAWING NO. 0594-0010	REV. F
FILE NAME: 0594-0010F1.VSD		SCALE: NONE	SHEET 3 OF 5

Class I, Division 1, Groups A, B, C, D, T4
Class II, Division 1, Groups E, F, G, T4
Class III, Division 1, T4
Class I, Zone 0, Group IIC, T4
Class II, Zone 20, Group IIIC, T4
Hazardous Areas

Class I, Division 2, Groups A, B, C, D
Or Unclassified Area

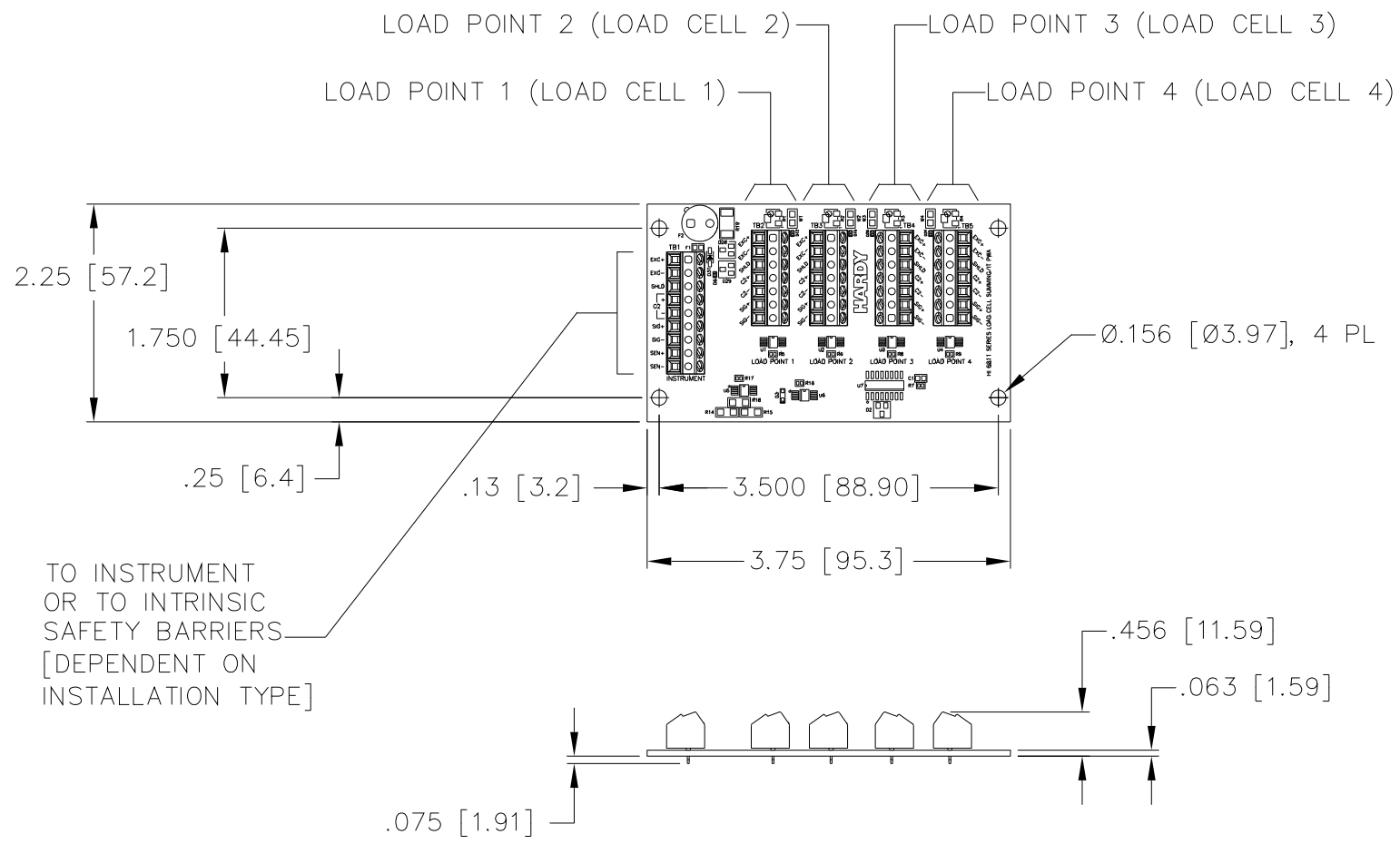


Notes:

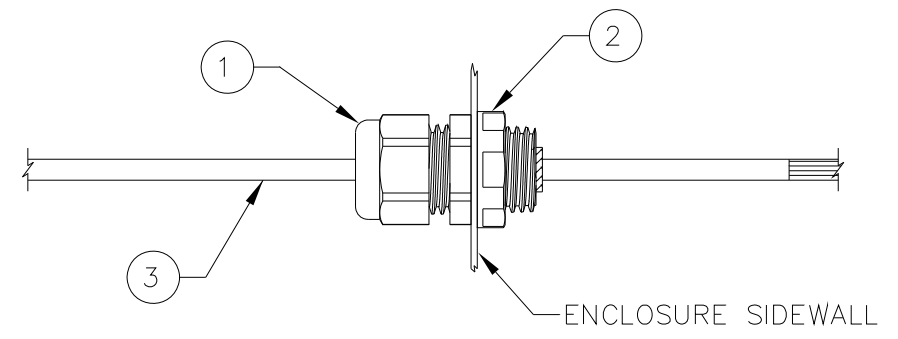
1. C2 wires only connected when using C2 load cells. If C2 wires are not used, the IS barrier for the C2 lines is not required.
2. Optional IS barrier on the sense lines is used to automatically compensate for losses through the IS barrier on the excitation lines. If the sense lines are not used, the IS Barrier for the sense lines is not required
3. For customers using an instrument or module without a Class 2 rated excitation power supply, a separate Class 2 power supply can be used to power IS Barrier Type 1.

Substitution of components may impair Intrinsic Safety and/or void Hazardous Area Approval

HARDY PROCESS SOLUTIONS				
TITLE General Control Drawing, Hazardous Area Apparatus System with HI 6011IT-SS1, Load Sensor And Load Points				
SIZE D	FSCM 21316	DRAWING NO. 0594-0010	REV. F	
FILE NAME: 0594-0010F1.VSD		SCALE: NONE	SHEET 4 OF 5	



CABLE CONNECTION



- ① Cable Gland Cord Grip and Sealing Nut
- ② Cable Gland Lock Nut
- ③ Load Cell Cable

Notes for summing box and the HI 6011IT summing card

1. Refer to load cell Calibration sheet or weighing assembly selection guide for load cell wiring code
2. Refer to inside of junction box cover for guidelines
3. Load Cell wire tightening torque for the terminal blocks is 2lb-in minimum to 4lb-in maximum
4. The following parts are shipped inside the junction box and are to be installed in locations required by the customer. Torque settings shown must be observed.

ITEM	PART NUMBER	QTY	DESCRIPTION
(1)	6007-0097-0	5	½ NPT Cord Grip and Sealing Nut
(2)	2814-0095-0	5	½ NPT Lock Nut

Installation Instructions
 Torque setting = 50-55 in/lb, 5.6 – 6.2 Nm
 Torque setting = 40-45 in/lb, 4.5 – 5.1 Nm

The above parts are suitable for:

- Class I, Division 1, Groups A, B, C, D, T4
- Class II, Division 1, Groups E, F, G, T4
- Class III, Division 1, T4
- Class I, Zone 0, Group IIC, T4
- Class II, Zone 20, Group IIIC, T4

- Class I, Division 2, Groups A, B, C, D, T5
- Class II, Division 2, Groups F, G, T5
- Class III, Division 2, T5

5. The screws on the summing box top cover must be tightened to a torque setting of 10 in/lb, 1.2 Nm

Substitution of components may impair Intrinsic Safety and/or void Hazardous Area Approval

HARDY PROCESS SOLUTIONS				
TITLE General Control Drawing, Hazardous Area Apparatus System with HI 6011IT-SS1, Load Sensor And Load Points				
SIZE D	FSCM 21316	DRAWING NO. 0594-0010	REV. F	
FILE NAME: 0594-0010F1.VSD		SCALE: NONE	SHEET 5 OF 5	